



DLSD Series IP66

## DLSD036 SERIES

### Applications:

Tunnels, Factories, Warehouses, Billboards and Street Lighting.

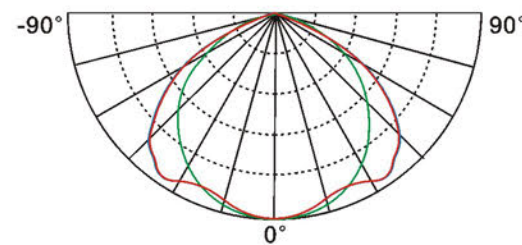
### Features:

- > Design unique to BEMI.
- > Lightning protection design, can withstand less than 20KV lightning interference.
- > With adjustable angle for installation up or down.
- > Applied with BEMI 80W-300W rectangular tube Induction lamp provides efficient, long life, excellent colour rendering and stable lighting.
- > External durable die-casting aluminium electrical box-high temperature baked and corrosion resistant with excellent cooling performance.
- > Inner reflector applied with imported heat resistant vacuum, effectively increasing the reflection space up to 90%.
- > Integrated ballast and lamp design allows easy installation, maintenance, efficient cooling and greater life between services.
- > Energy efficient and environmentally friendly.

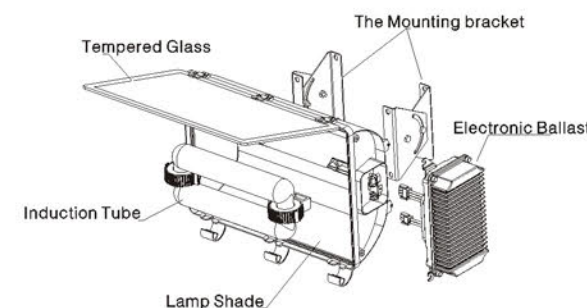
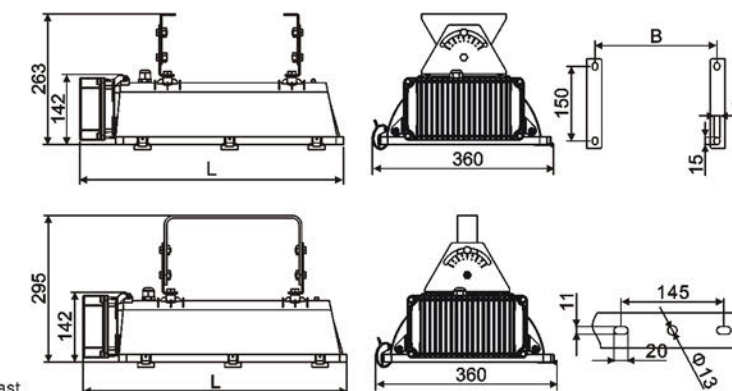
### Material and Technique:

- > ADC12 Integrated die-casting aluminum lampshade.
- > Lamp body adopts high temperature baked quality dark gray corrosion resistant coating process.
- > Imported heat resistant vacuum inner reflector.
- > 5mm ultra white tempered glass illuminating surface.
- > Imported rubber sealing ring.
- > High strength 6063 aluminum hasp.

### Light distribution curve:

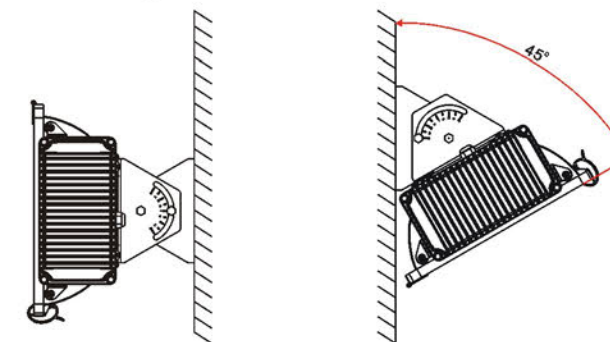


### Lamp Size: (Unit: mm)



Model	Power (W)	D (mm)	H (mm)
DLSD036A	80-150	~540	~245
DLSD036AL	80-150	~540	~245
DLSD036A	200-300	~725	~295
DLSD036AL	200-300	~725	~295

### Installation Diagram:



### Technical Data:

Product	DLSD036 Tunnel Lamp Series						
Wattage (W)	80	100	120	150	200	250	300
Model	DLSD036A			DLSD036B			
Luminous Flux (lm)	6400	8000	9600	12000	16000	21250	25500
Voltage (V)	Standard voltage: AC220-240V 50HZ/60HZ; Products of voltage AC100V-AC120V 50HZ/60HZ can be produced according to customers requirements.						
Current (A)	0.39	0.49	0.58	0.73	0.96	1.2	1.43
Current 110V (A)	0.78	0.98	1.16	1.46	1.92	2.4	2.86
Ballast Consumption(W)	6	7.5	8.5	10	11.5	13	15
Power Factor	0.95			0.98			
Color Temperature	Standard color temperature of 5000K, other conventional color temperature: 2700K/4000K/6500K, to be ordered for additional color temperature.						
Ambient Temperature	Standard products working at -25°C ~ 50°C; Products can be customized for -40°C ~ 20°C.						
IP Rated	IP66						
Dimming	Timing dimming or dimming external trigger terminal					-	
Product Size(mm)	540X360X142				725X360X142		
Carton Size(cm)	60X41X23				80X41X23		
Net Weight(kg)	7.5	7.8	8	8	8.7	9.3	9.3
Gross Weight(kg)	8.2	8.4	8.5	8.5	9.2	10	10
Model	DLSD036-WJ80/T	DLSD036-WJ100/T	DLSD036-WJ120/T	DLSD036-WJ150/T	DLSD036-WJ200/T	DLSD036-WJ250/T	DLSD036-WJ300/T