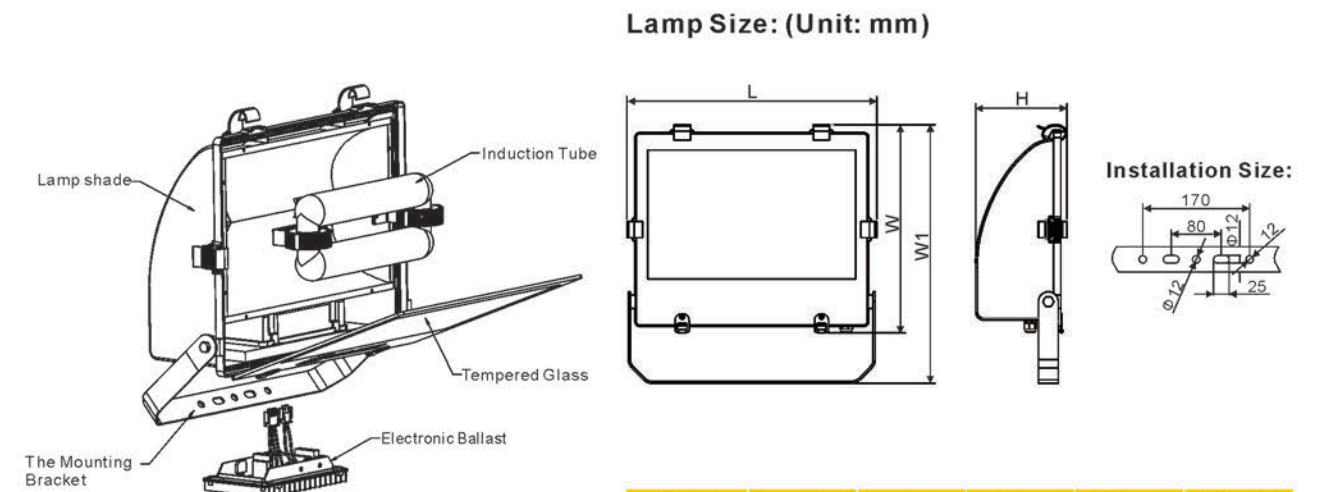




TGS Series IP66



TGS028 SERIES

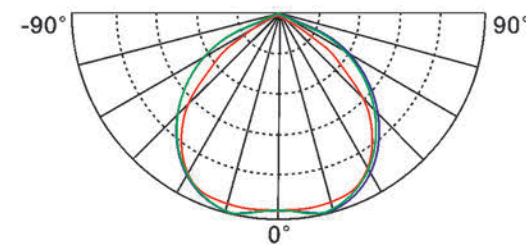
Applications:

Factories, Warehouses, Billboards, Building Lighting, Sports Venues, Stations and Street Lighting.

Features:

- > Design unique to BEMI
- > Lightning protection design, can withstand less than 20KV lightning interference.
- > With adjustable angle for installation up or down.
- > Applied with BEMI 80W-200W rectangular tube induction lamp provides efficient, long life, excellent color rendering and stable lighting.
- > Semi internal durable die-casting aluminum electrical box high temperature baked and corrosion resistant with excellent cooling performance.
- > ADC12 integrated die-casting aluminum lampshade with perfect high purity appearance.
- > Nano coated inner reflector, effectively increasing the reflectivity up to 90%.
- > Symmetrical distribution of light enables precise beam.
- > Tempered glass cover with heat resistant silicone seal and high strength 6063 aluminum hasp-luminousness can reach 90%.
- > Integrated ballast and lamp design allows easy installation, maintenance, efficient cooling and greater life between services.

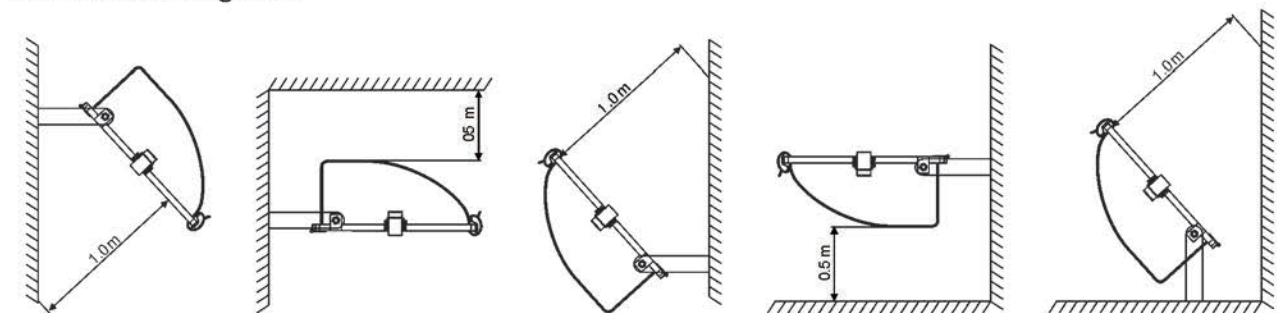
Light distribution curve:



Material and Technique:

- > ADC12 integrated die-casting aluminum lampshade.
- > Lamp body adopts high temperature baked quality dark gray corrosion resistant coating process.
- > Nano-coated inner reflector.
- > 5mm ultra-white tempered glass illuminating surface.
- > Imported rubber sealing ring.
- > High strength 6063 aluminum hasp.

Installation Diagram:



Technical Data:

Product	TGS028 FLOOD LAMP SERIES				
Wattage (W)	80	100	120	150	200
Model	TGS028A				TGS028B
Luminous Flux (lm)	6400	8000	9600	12000	16000
Voltage (V)	Standard voltage AC220-240V 50HZ/60HZ, Products of voltage AC100V-AC120V 50HZ/60HZ can be produced according to customers requirements.				
Current (A)	0.39	0.49	0.58	0.73	0.96
Current 110V (A)	0.78	0.98	1.16	1.46	1.92
Ballast Consumption(W)	6	7.5	8.5	10	11.5
Power Factor	0.95			0.98	
Color Temperature	Standard color temperature of 5000K, other conventional color temperature: 2700K/4000K/6500K, to be ordered for additional color temperature.				
Ambient Temperature	Standard products working at -25°C ~ 50°C, Products can be customized for -40°C ~ 20°C.				
IP Rated	IP66				
Dimming	Timing dimming or dimming external trigger terminal				
Product Size(mm)	495X415X180				575X415X180
Carton Size(cm)	56X46X25				63X46X25
Net Weight(kg)	8.5	9	10	10	11
Gross Weight(kg)	9	9.5	10.5	10.5	11.71
Model	TGS028-WJ80/T	TGS028-WJ100/T	TGS028-WJ120/T	TGS028-WJ150/T	TGS028-WJ200/T