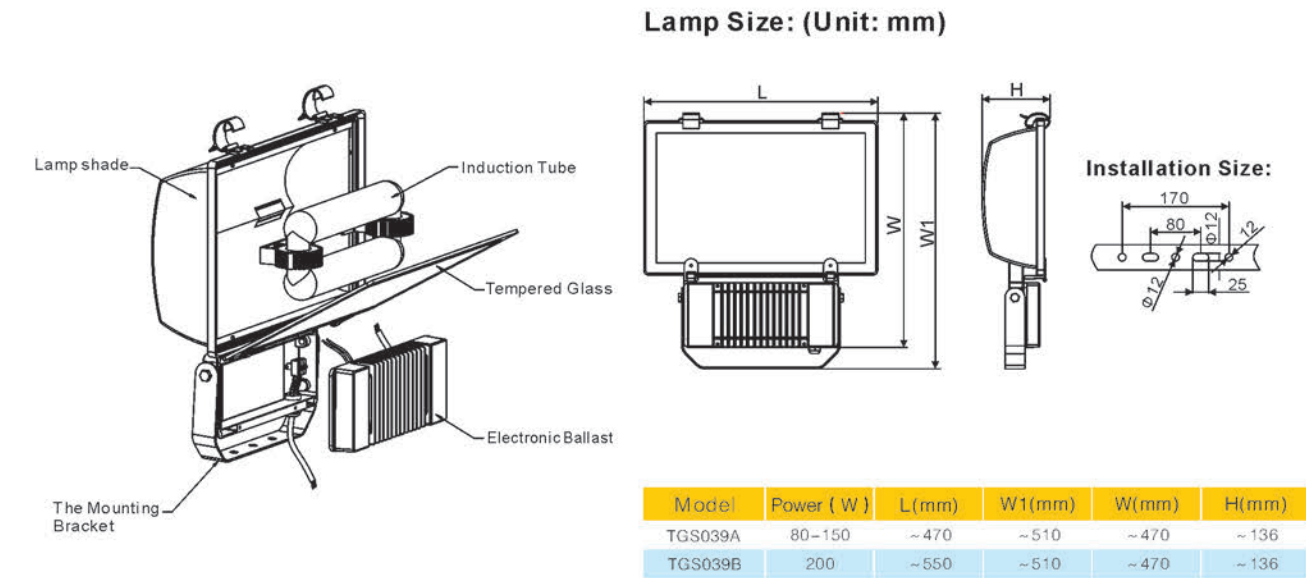
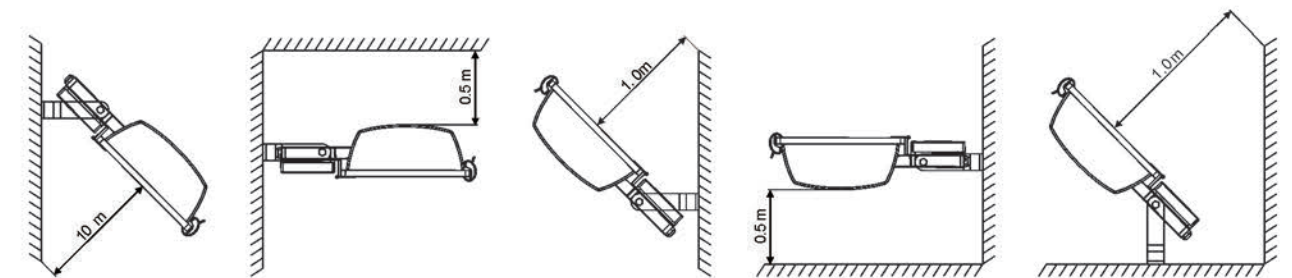




TGS Series IP66



Installation Diagram:



TGS039 SERIES

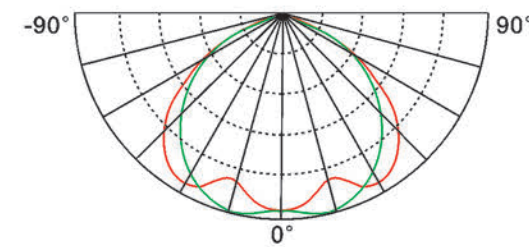
Applications:

Factories, Warehouses, Billboards, Building Lighting, Sports Venues, Stations and Street Lighting.

Features:

- > Design unique to BEMI.
- > Lightning protection design, can withstand less than 20KV lightning interference.
- > With adjustable angle for installation up or down.
- > Applied with BEMI 80W-200W rectangular tube induction lamp provides efficient, long life, excellent color rendering and stable lighting.
- > External durable die-casting aluminum electrical box - high temperature baked and corrosion resistant with excellent cooling performance.
- > Mirrored aluminum inner reflector, effectively increasing the reflectivity up to 90%.
- > Symmetrical distribution of light enables precise beam.
- > Integrated ballast and lamp design allows easy installation, maintenance, efficient cooling and greater life between services.

Light distribution curve:



Material and Technique:

- > ADC12 integrated die-casting aluminum lampshade.
- > Lamp body adopts high temperature baked quality dark gray corrosion resistant coating process.
- > Mirrored aluminum inner reflector with Germany aluminum Miro5.
- > 5mm Ultra-white tempered glass illuminating surface.
- > Imported rubber sealing ring.
- > High strength 6063 aluminum hasp.

Technical Data:

Product	TGS039 FLOOD LAMP SERIES				
Wattage (W)	80	100	120	150	200
Model	TGS039A				TGS039B
Luminous Flux (lm)	6400	8000	9600	12000	16000
Voltage (V)	Standard voltage AC220-240V 50HZ/60HZ, Products of voltage AC100V-AC120V 50HZ/60HZ can be produced according to customers requirements.				
Current (A)	0.39	0.49	0.58	0.73	0.96
Current 110V (A)	0.78	0.98	1.16	1.46	1.92
Ballast Consumption(W)	6	7.5	8.5	10	11.5
Power Factor	0.95			0.98	
Color Temperature	Standard color temperature of 5000K, other conventional color temperature: 2700K/4000K/6500K, to be ordered for additional color temperature.				
Ambient Temperature	Standard products working at -25°C ~ 50°C, Products can be customized for -40°C ~ 20°C.				
IP Rated	IP66				
Dimming	Timing dimming or dimming external trigger terminal				
Product Size(mm)	470X470X136				550X470X136
Carton Size(cm)	52X52X19				60X52X19
Net Weight(kg)	7.2	7.3	7.56	7.56	8.81
Gross Weight(kg)	8.33	8.43	8.69	8.69	9.75
Model	TGS039-WJ80/T	TGS039-WJ100/T	TGS039-WJ120/T	TGS039-WJ150/T	TGS039-WJ200/T